

CUT

Francesco Rota | 2013



CUT

Francesco Rota | 2013

A design project with many structures, aspects and options for use. CUT, which can be enhanced with internal padding only or fully upholstered, is the designer chair par excellence. Ideal in the home or in the office.



CUT

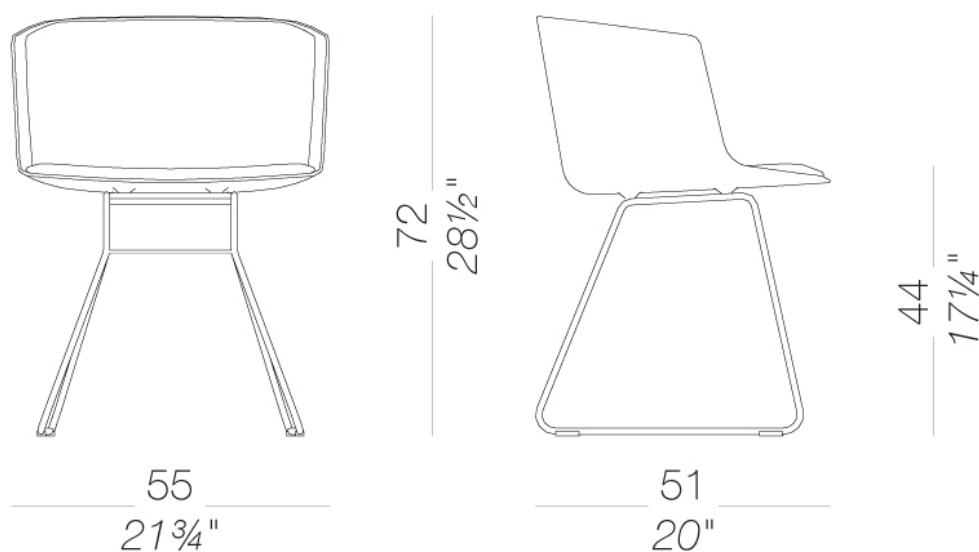
Francesco Rota | 2013

S139-140 Slide frame base and customised upholstery

CUT | S139-140 S147-148 S151/1-152/1 S180-181 S184-185 S186-187 S188-189 S190-191 S192-193

Chair with Baydur® polyurethane shell, white or black, only front or fully upholstered with fabric or leather. Bases can be fixed or height-adjustable with castors, either in mat chromed or powder coated metal or ashwood. Swivel bases are made of sandblasted or powder coated die-cast aluminium.

TEST 1 IM - Steelcut



CUT

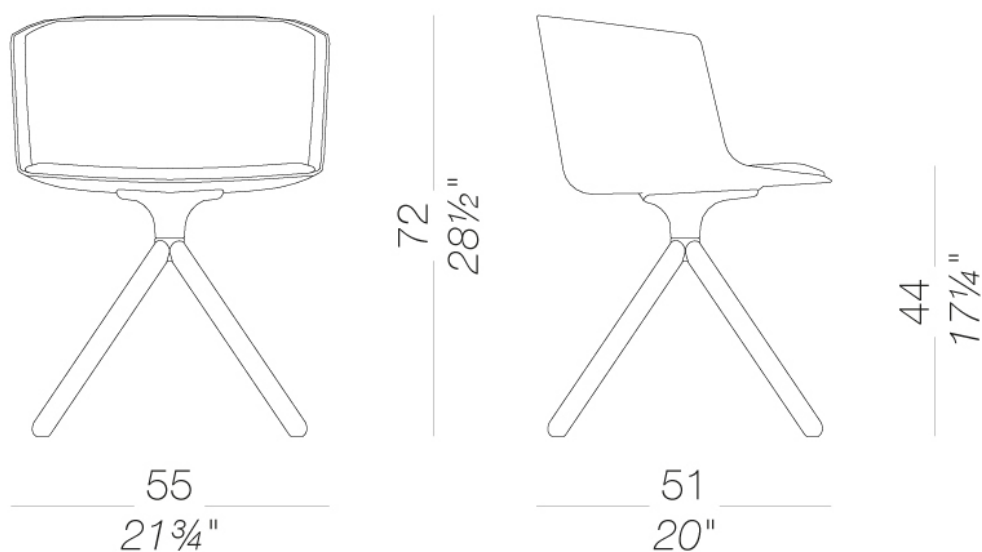
Francesco Rota | 2013

S147-148 Swivel with wood legs

CUT | S139-140 S147-148 S151/1-152/1 S180-181 S184-185 S186-187 S188-189 S190-191 S192-193

Chair with Baydur® polyurethane shell, white or black, only front or fully upholstered with fabric or leather. Bases can be fixed or height-adjustable with castors, either in mat chromed or powder coated metal or ashwood. Swivel bases are made of sandblasted or powder coated die-cast aluminium.

TEST EN 1728:2012 6.17 - EN 16139:2013 - L2 extreme
TEST 1 IM - Steelcut



CUT

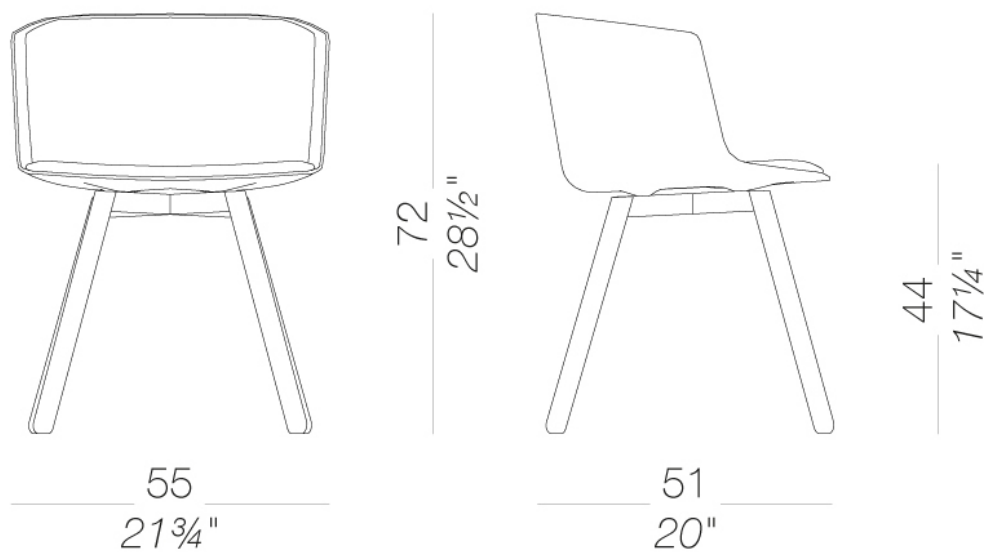
Francesco Rota | 2013

S180-181 wood legs

CUT | S139-140 S147-148 S151/1-152/1 S180-181 S184-185 S186-187 S188-189 S190-191 S192-193

Chair with Baydur® polyurethane shell, white or black, only front or fully upholstered with fabric or leather. Bases can be fixed or height-adjustable with castors, either in mat chromed or powder coated metal or ashwood. Swivel bases are made of sandblasted or powder coated die-cast aluminium.

TEST 1 IM - Steelcut



CUT

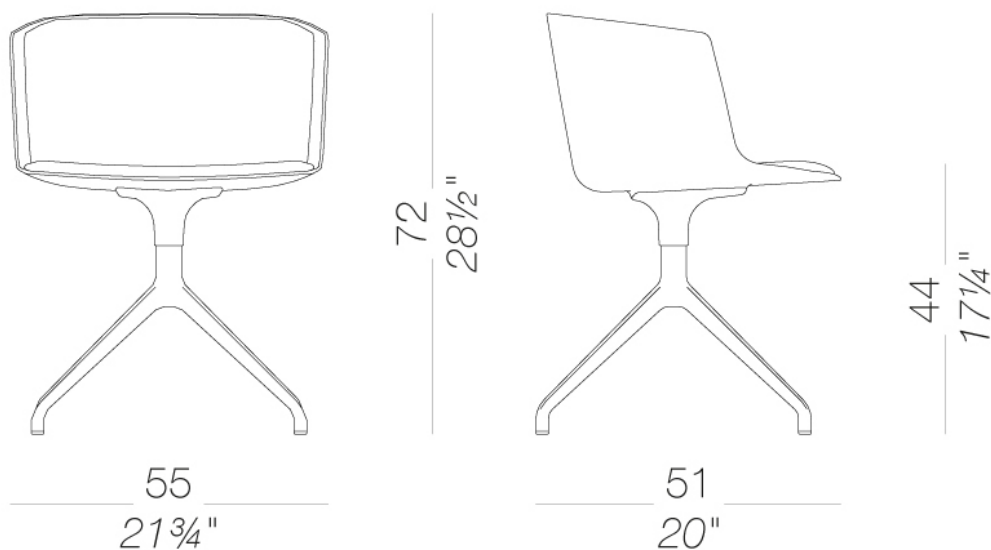
Francesco Rota | 2013

S151/1-152/1 4-spoke swivel base

CUT | S139-140 S147-148 S151/1-152/1 S180-181 S184-185 S186-187 S188-189 S190-191 S192-193

Chair with Baydur® polyurethane shell, white or black, only front or fully upholstered with fabric or leather. Bases can be fixed or height-adjustable with castors, either in mat chromed or powder coated metal or ashwood. Swivel bases are made of sandblasted or powder coated die-cast aluminium.

TEST 1 IM - Steelcut



CUT

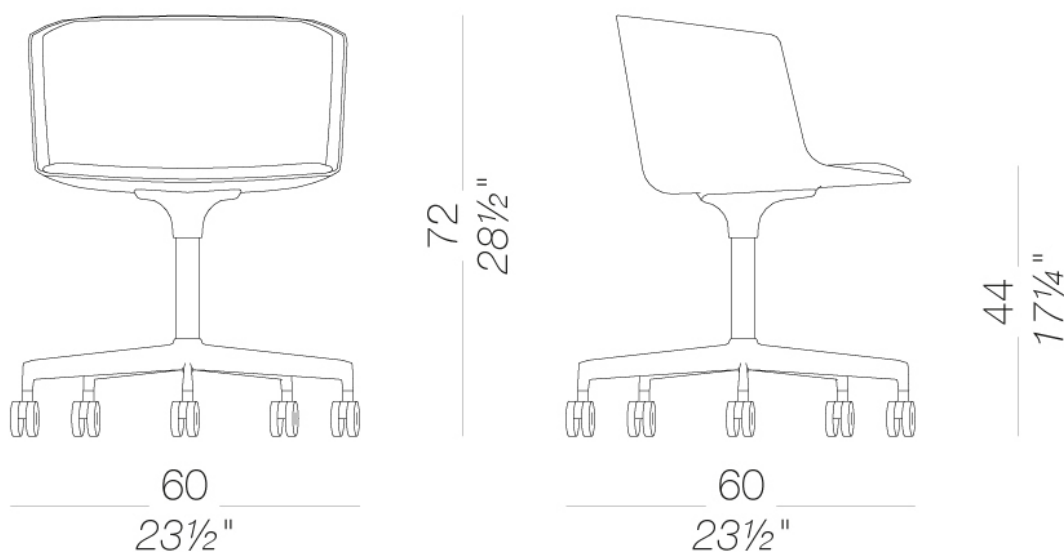
Francesco Rota | 2013

S184-185

CUT | S139-140 S147-148 S151/1-152/1 S180-181 S184-185 S186-187 S188-189 S190-191 S192-193

Chair with Baydur® polyurethane shell, white or black, only front or fully upholstered with fabric or leather. Bases can be fixed or height-adjustable with castors, either in mat chromed or powder coated metal or ashwood. Swivel bases are made of sandblasted or powder coated die-cast aluminium.

TEST 1 IM - Steelcut



CUT

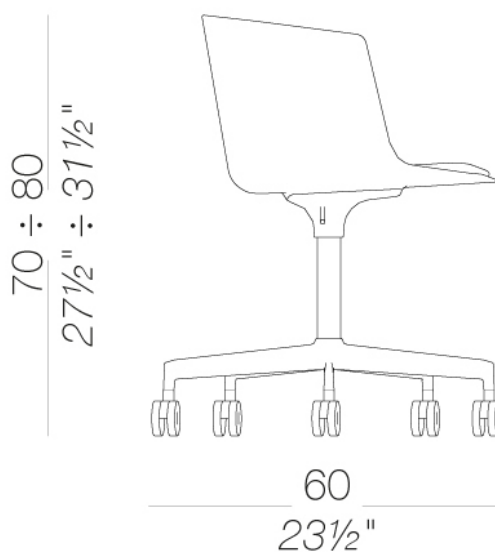
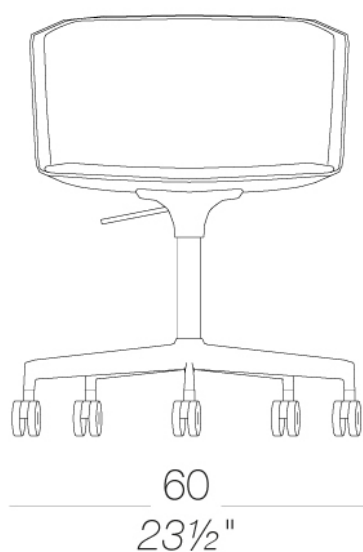
Francesco Rota | 2013

S186-187 Height-adjustable, on castors

CUT | S139-140 S147-148 S151/1-152/1 S180-181 S184-185 S186-187 S188-189 S190-191 S192-193

Chair with Baydur® polyurethane shell, white or black, only front or fully upholstered with fabric or leather. Bases can be fixed or height-adjustable with castors, either in mat chromed or powder coated metal or ashwood. Swivel bases are made of sandblasted or powder coated die-cast aluminium.

TEST 1 IM - Steelcut



CUT

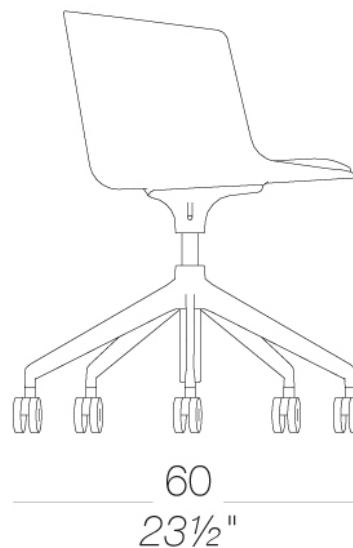
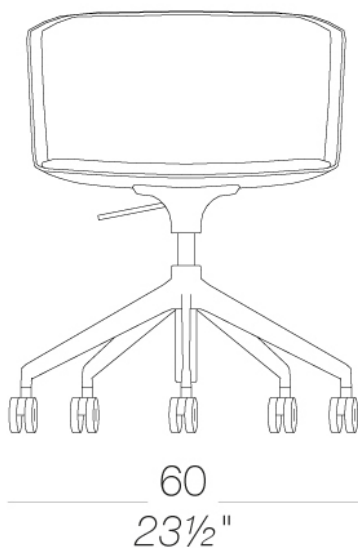
Francesco Rota | 2013

S188-189 Height-adjustable with pyramidal base, on castors

CUT | S139-140 S147-148 S151/1-152/1 S180-181 S184-185 S186-187 S188-189 S190-191 S192-193

Chair with Baydur® polyurethane shell, white or black, only front or fully upholstered with fabric or leather. Bases can be fixed or height-adjustable with castors, either in mat chromed or powder coated metal or ashwood. Swivel bases are made of sandblasted or powder coated die-cast aluminium.

TEST EN 1728:2012 AC:2013 6.17 - EN 16139:2013 - L2 extreme
TEST 1 IM - Steelcut



CUT

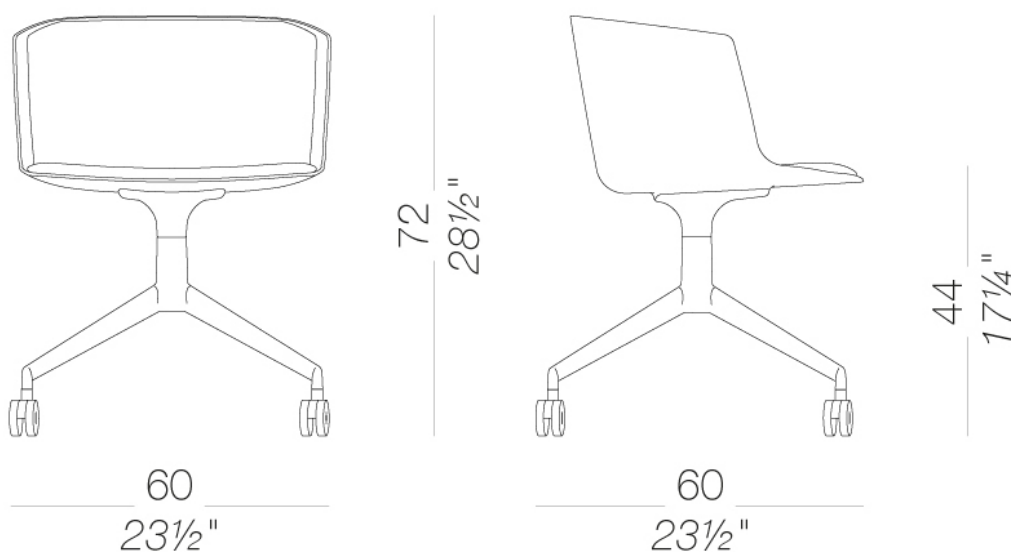
Francesco Rota | 2013

S192-193 4-spoke base, on castors

CUT | S139-140 S147-148 S151/1-152/1 S180-181 S184-185 S186-187 S188-189 S190-191 S192-193

Chair with Baydur® polyurethane shell, white or black, only front or fully upholstered with fabric or leather. Bases can be fixed or height-adjustable with castors, either in mat chromed or powder coated metal or ashwood. Swivel bases are made of sandblasted or powder coated die-cast aluminium.

TEST 1 IM - Steelcut



CUT

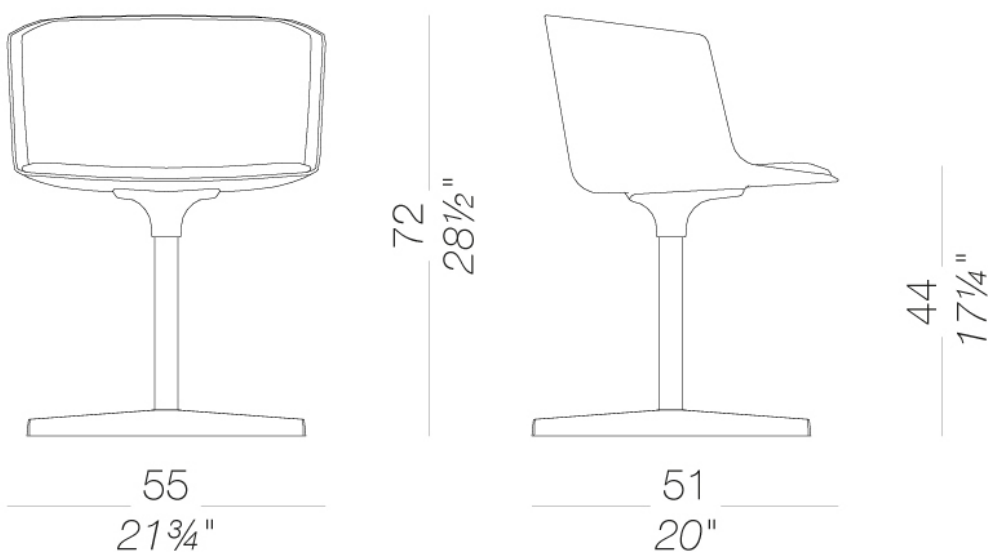
Francesco Rota | 2013

S190-191 star-shaped swivel base

CUT | S139-140 S147-148 S151/1-152/1 S180-181 S184-185 S186-187 S188-189 S190-191 S192-193

Chair with Baydur® polyurethane shell, white or black, only front or fully upholstered with fabric or leather. Bases can be fixed or height-adjustable with castors, either in mat chromed or powder coated metal or ashwood. Swivel bases are made of sandblasted or powder coated die-cast aluminium.

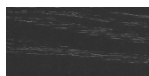
TEST 1 IM - Steelcut



CUT

Francesco Rota | 2013

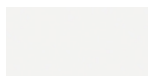
frame



wood
black open pore
1 Colors



powder coating
black
1 Colors



powder coating
white
1 Colors



wood
natural ash
1 Colors



metal
aluminium
1 Colors



metal
mat chromed
1 Colors

shell



plastics
Baydur@
2 Colors

upholstery



fabric
Hallingdal 65
47 Colors



fabric
Canvas 2
40 Colors



fabric
Steelcut Trio 3
48 Colors



fabric
Remix 2
24 Colors



fabric
Clara 2
24 Colors



fabric
Fiord
24 Colors



fabric
Divina MD
24 Colors



fabric
Divina Melange 2
24 Colors



fabric
Tonica 2
39 Colors



fabric
Medley
37 Colors



fabric
Swing
24 Colors



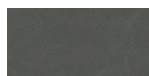
fabric
Maya
43 Colors



fabric
Jet
44 Colors



fabric
Laser J Flash
24 Colors



soft-leather
soft-leather
7 Colors



ecoleather
GRIMM FR
24 Colors

consult the portfolio for the range of colors, fabrics, eco-leather, soft-leather.

use and maintenance instructions

Clean all parts in wood, leather, fabric and metal with a damp cloth or a diluted neutral cleaner. Do not use cleaners with alcohol, bleach, solvent or abrasive products. Any liquid spilt on the product must be wiped up immediately. When lifting or moving the product, hold it on the structure and not under the seat. The product should not be subjected to unbalanced weights, as it is designed for a proper rest on the foothold (on four legs or on the base). Our company relieves from any responsibility in case of damage caused to fragile floors. Avoid any improper use of the product: do not step on the product, on the footrest or on the armrests. Avoid any movements that could compromise the proper functionality of the product or the safety of the users. Wood and leather, being natural materials, could be easily damaged. Small impurities or imperfections are within quality standard range. Do not expose the product to weather conditions or atmospheric agents, nor to heat sources over 40°C. Also products for outdoor use could be afflicted by atmospheric agents. The product could undergo possible exterior changes due to particular exposure to heat, humidity and saltiness. An appropriate and frequent maintenance and cleaning of the product enhances its durability. The product could change colour and shade, if exposed to direct sunlight. Maintenance has to be carried out by experienced staff. Dispose of the package only after assembling the product, in order to avoid the loss of ironmongery and components. Once the product has been dismantled, the product itself or its components must be given to the public garbage disposal system, according to the legislation in force.