



China

**Technical Report No. 70.424.23.09261
Revision 01**

Dated: Dec 29, 2023

Client:

Attn. to: **Mr. Yaqing Tong**

Manufacturing location:

Test object: **Product: Electrical Office Pod
Model: POD.001**

Test specifications: **Sound insulation test standard ISO 11957:1996
Operation condition in according to ISO 11957:1996**

Purpose of examination: **The conformity test for client's requirement**

Test result: **Test results see clause 3**

This technical report may only be quoted in full. Any use for advertising purposes must be granted in writing. This report is the result of a single examination of the object in question and is not generally applicable evaluation of the quality of other products in regular production.



China

1. Description of the test object

1.1 Function

Sound protecting

1.2 Technical Data

Model: POD.001
Spec. 1020mm*1020mm*2260mm

2. Order

2.1 Date of Purchase Order: 05.12.2023

2.2 Date of receipt of test subject: 22.12.2023

2.3 Date of Testing 22.12.2023

2.4 Location of Testing

Testing and Calibration Laboratory of Vibration and Noise of CSIC No.711 Research Institute

The measurement is witnessed by project engineer of TÜV SÜD China.

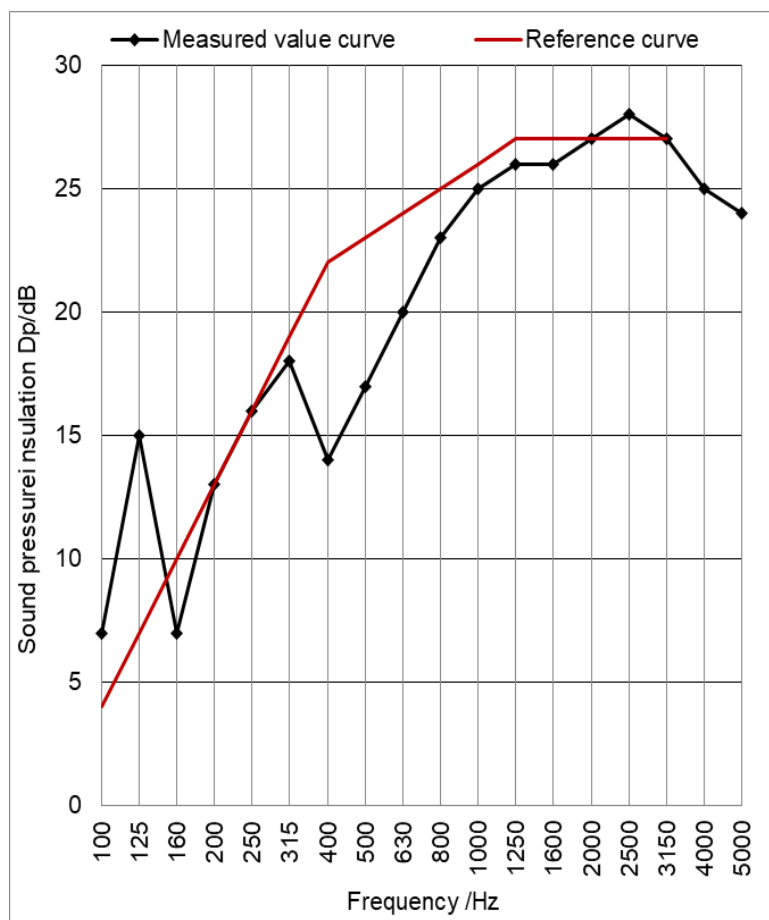


China

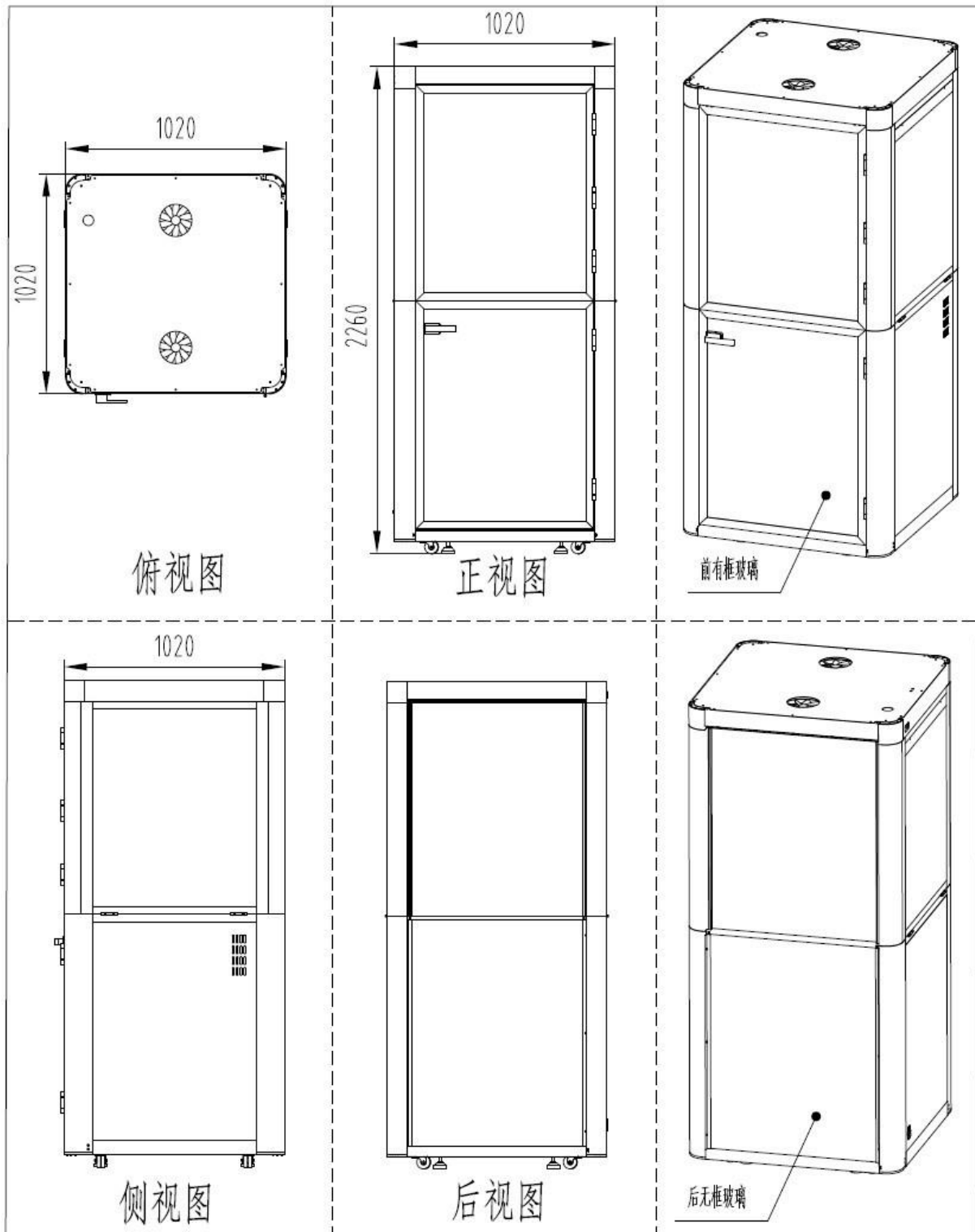
3. Test results

Volume Reverberation Room	160m ³	Date	22.12.2023
Temperature	15°C	RH	35%
		Wind	0 m/s
Description of Test Arrangement	The sample is installed on-site by the client in the reverberation room test area. The door of the specimen is opened and closed repeatedly for ten times and test without further adjustment.		

Frequency Hz	(L _p) _{room} dB	(L _p) _{cabin} dB	Sound pressure insulation, D _p /dB
100	79.9	73.0	6.9
125	84.6	70.0	14.6
160	88.7	81.3	7.4
200	95.6	82.8	12.8
250	98.7	82.3	16.4
315	97.9	79.8	18.1
400	96.9	83.8	14.1
500	95.3	78.0	17.3
630	95.6	75.4	20.2
800	96.3	73.2	23.1
1000	93.7	68.9	24.8
1250	94.1	68.1	26.0
1600	94.6	68.1	26.5
2000	93.6	66.9	26.7
2500	92.2	64.5	27.7
3150	90.5	63.8	26.7
4000	89.0	63.8	25.2
5000	85.7	62.0	23.7
Weighted sound pressure insulation D _{p,w} /dB			23



Drawing of Specimen (offered by applicant)





China

4. Test equipment list

Name	Type	Serial Nr.	Manufacturer	Calibration Period of validity until
Pulse system	PULSE 3560-D	2588893	B&K	14/09/2026
Microphone	4190-L-001	2688551	B&K	03/01/2024
		2688554		03/01/2024
		2688555		03/01/2024
		2688557		03/01/2024
		2677067		03/01/2024
Sound source	OS002	510371	Beijing Shengwang	18/11/2024
Power amplifier	SWA100	510157	Beijing Shengwang	29/11/2024
Calibrator	4231	3002008	B&K	31/08/2024

TÜV SÜD Certification and Testing (China) Co., Ltd. Shanghai Branch

Project Engineer
Zhenxiang Hu



Project Manager
Sheng Qian

